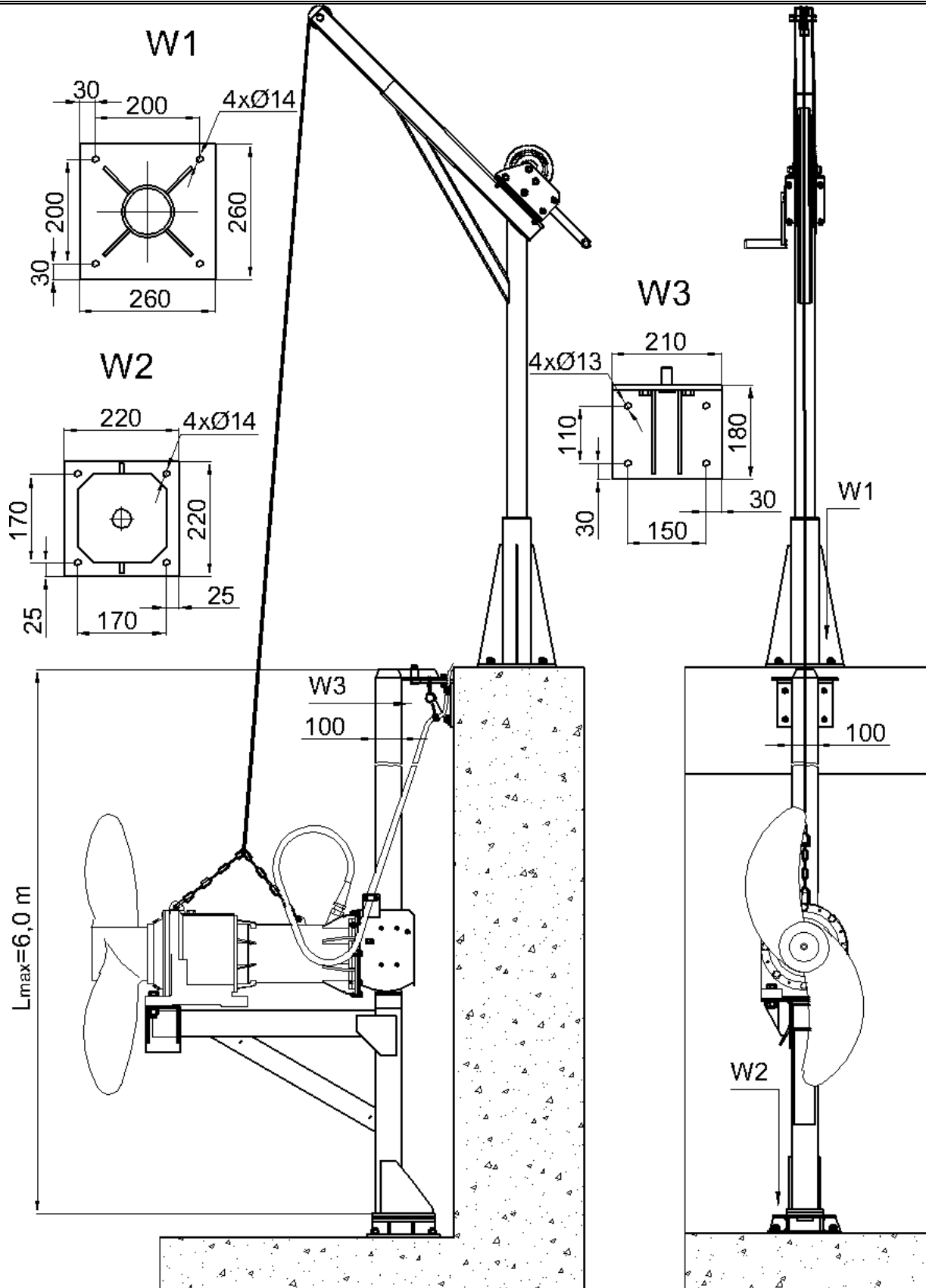


Aspamet

DIVISION OF EQUIPMENT FOR ENVIRONMENT PROTECTION
SUPPORTING STRUCTURE TYPE AN100 FOR AR MIXERS
ROTATIONAL VERSION



Ā ASPAMETĀ ; PRZEMYSŁOWA 4E STREET RAJSKO; 32-600 O WI CIM; POLAND